



# INDECO

YOUR PARTNERS IN DEMOLITION



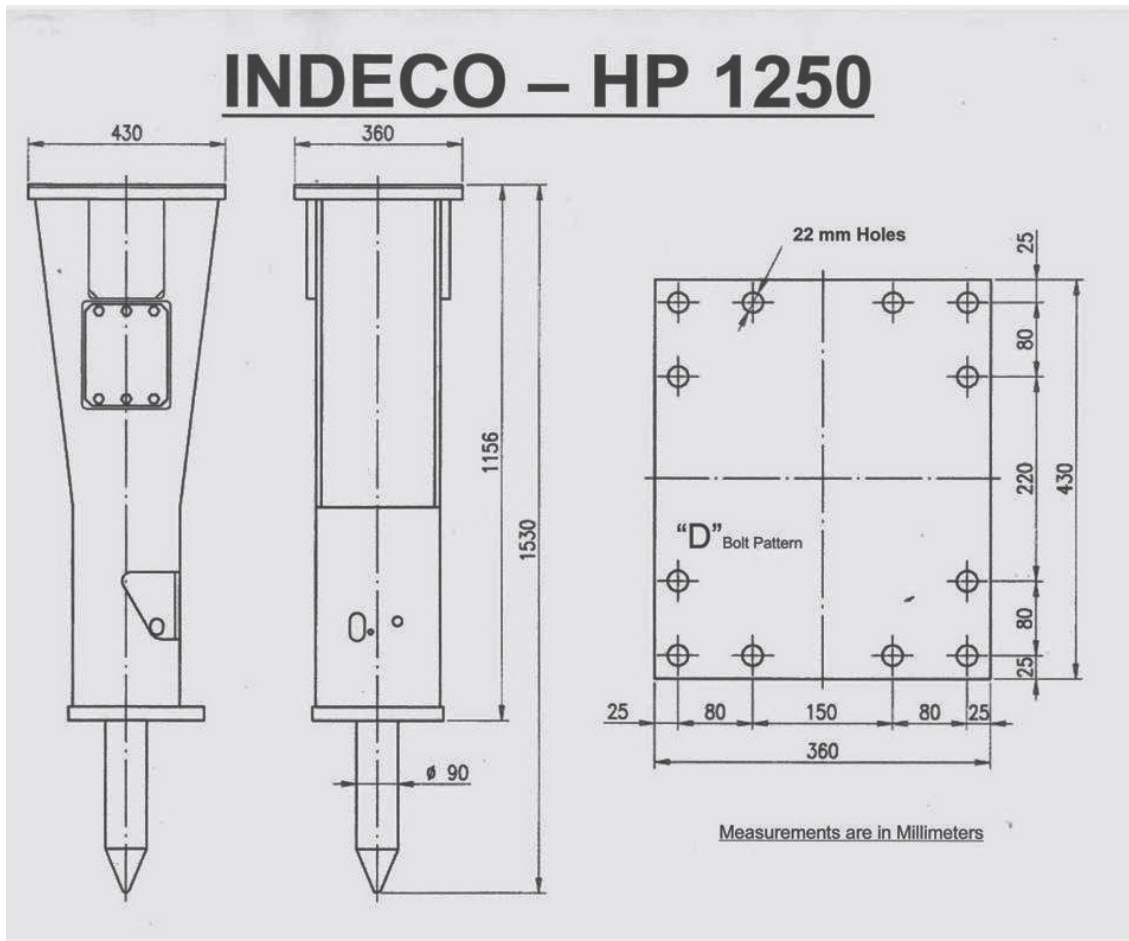
# Parts Manual

## HP1250

HYDRAULIC BREAKER

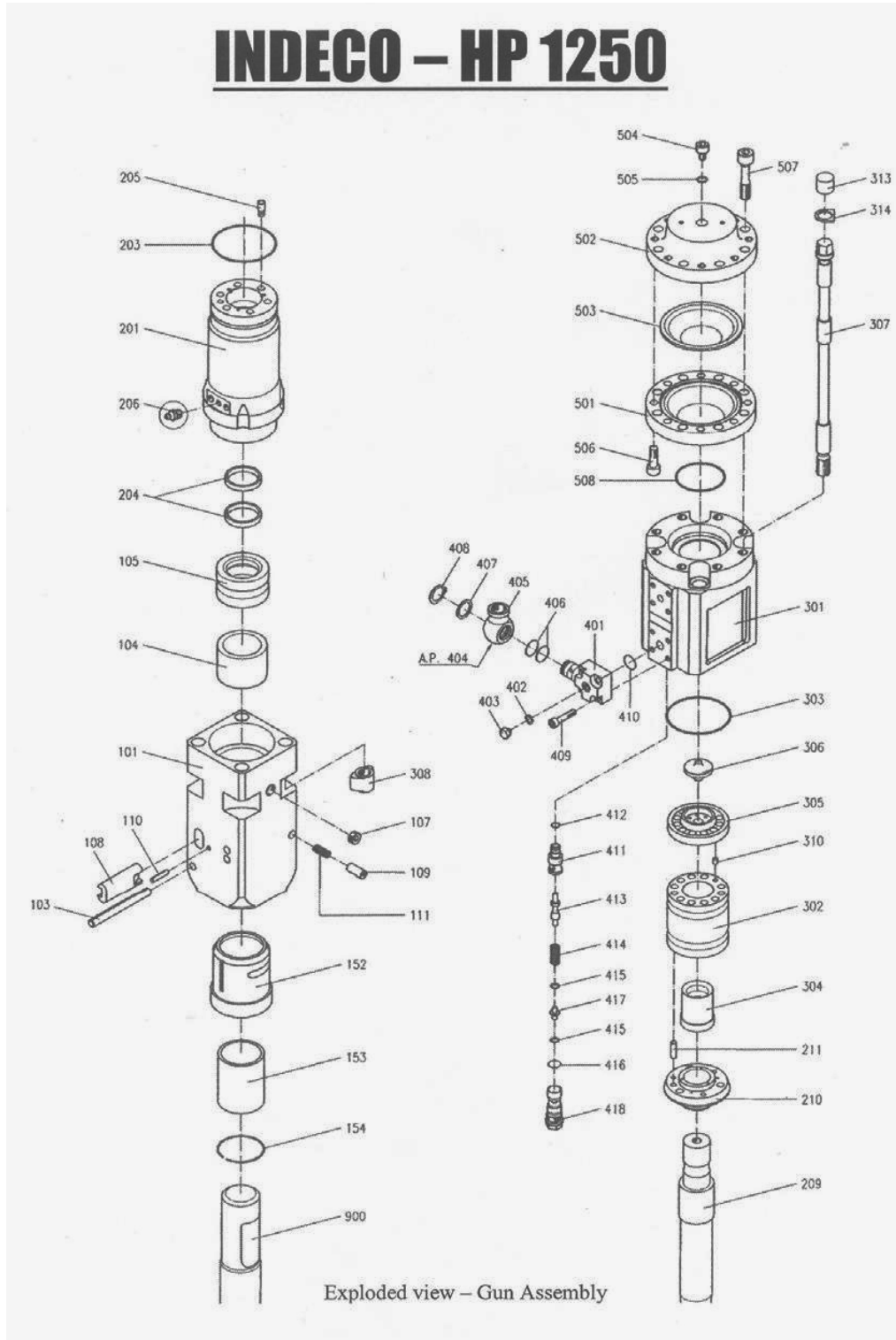
# HP1250 Hydraulic Breaker - PARTS MANUAL

## Technical Drawing



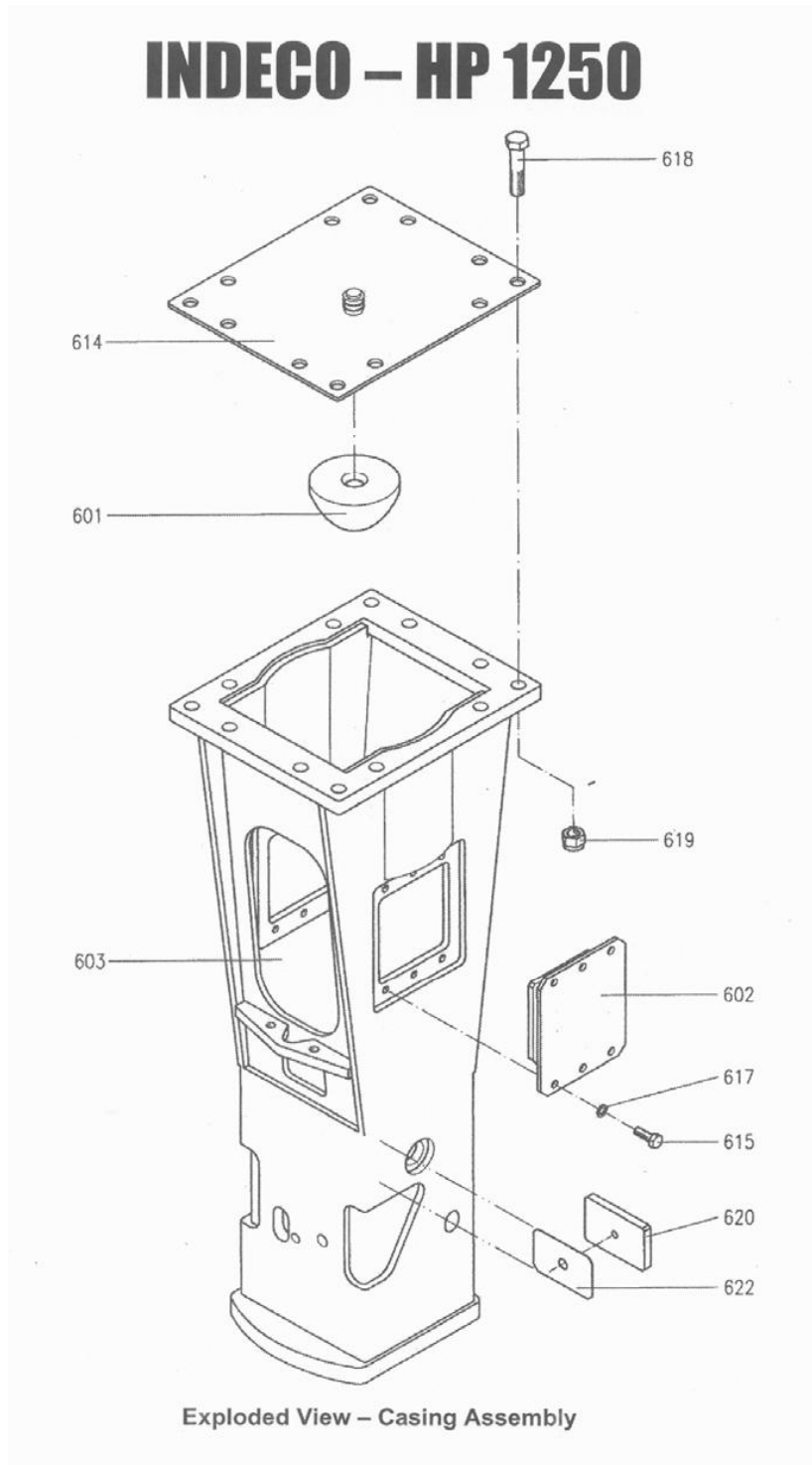
# HP1250 Hydraulic Breaker - PARTS MANUAL

## Exploded View



# HP1250 Hydraulic Breaker - PARTS MANUAL

## Exploded View



# HP1250 Hydraulic Breaker - PARTS MANUAL

## Part List

### INDECO - HP1250

#### PARTS LIST

POS	QTY	PART #	Description
101	1	HPO12501010A	CHUCK HOUSING - ASSEMBLY
103	1	330231	INSERT BUSH PIN
104	1	HPO12501040	UPPER BUSH
105	1	HPO12501050	SPACER
107	1	190011	PLUG
108	2	HPO12501080	RETAINING AXLE
109	2	HPO12501092	LOCK BOLT - PUSH AND TURN
110	2	330081	ELASTIC PIN
111	2	8501110	SPRING
152	1	HPO12501520	INSERT HOLDER
153a	1	HPO12501538	INSERT BUSH - STEEL
153b	1	HPO12501537	INSERT BUSH - BRONZE
154	1	HPO12501540	CIRCLIP
201	1	HPO12502010	CYLINDER
203	1	100181	O-RING
204	2	110211	SEAL - U JOINT
205	3	HPO12502050	CHECK VALVE
206	1	270011	GREASE NIPPLE
207	1	HPO12502070	CENTERING PIN
209	1	HPO12502090	PISTON
210	1	HPO12502100	GUIDE ADAPTER
211	1	340121	PIN
301	1	HPO12503010	HEAD
302	1	HPO12503020	DISTRIBUTOR BOX BODY
303	2	100183	O-RING
304	1	HPO12503040	DISTRIBUTOR
305	1	HPO12503050	BOX BODY COVER
306	1	HPO12503060	STEEL DIAPHRAGM
307	4	HPO12503070	SIDE BOLT
308	4	HPO12503080	NUT
310	1	4502110	PIN
313	4	0603130	RUBBER STOP
314	4	0603140	LOCK-SIDE BOLT
401	2	0604010	LINK
402	2	120011	SEALING WASHER
403	2	200011	PLUG 1/4" GAS
404	1	1207140	HP CONNECTION
405	1	1207150	LP CONNECTION
406	4	100032	O-RING
407	2	1207190	WASHER
408	2	350031	SEEGER
409	8	300171	BOLT
410	2	100062	O-RING
411	1	0801400A	BARREL
412	1	100162	O-RING

# HP1250 Hydraulic Breaker - PARTS MANUAL

## Part List - Continued

# INDECO - HP1250

POS	QTY	PART #	Description
413	1	0801430	SLIDE
414	1	400041	SPRING
415	7	360021	ADJUSTMENT SHIM
416	1	100171	O-RING
418	1	1304180	GUIDING PLUG
501	1	HP012505010	ACC. SHELL-LOWER HALF
502	1	HP12505020	ACC. SHELL UPPER HALF
503	1	HP012504030P	DIAPHRAGM
504	1	2704041	INFLATION SCREW
505	1	120021	SEALING RING
506	8	300091	SHELL FIXING SCREW
507	8	HP012505070	ACCUMULATOR BOLT
508	1	100372	O-RING
601	1	HP012506010	UPPER SHOCK ABSORBER
602	2	HP012506020	SIDE SHOCK ABSORBER
603	1	HP012506030	CASING
614	1	HP012506140	SHOCK ABSORBER HOLDER
615	12	310011	SIDE SHOCK BOLTS
617	12	290031	DISK-LOCK WASHER
620	4	1306200A	WEAR PLATE
622b	4	1306220048	WEAR PLATE SHIM .048"
800	1	HP12508000K	SEAL KIT
900a	1	HP012509100	MOIL
900b	1	HP012509010	CHISEL
900c	1	HP012509030	BLUNT