

# KOMATSU®

PC200LC-8  
PC220LC-8  
PC270LC-8  
PC350LC/HD-8  
PC450LC-8

**FRONT LENGTHS**  
15.2 - 19.8 m **50' - 65'**

## Super Long Front Hydraulic Excavator Attachments



\*Photo may include optional equipment

HYDRAULIC EXCAVATOR

# WALK-AROUND

## *For Use In*

- **Industrial**
  - Waste pond and pit rehabilitation in industrial plants
  - Settling pond rehabilitation in mills and plants
- **Governmental**
  - River and creek bank maintenance and stabilization
  - Dredging of waterways
  - Highway landscaping and sloping
  - Irrigation and drainage ditch maintenance
- **Construction**
  - Dredging of bridge foundations
  - Cofferdam construction
  - Slurry wall construction in light soils
- **Mining**
  - Waterway maintenance
  - Slurry and settling pond maintenance



## **KOMTRAX**<sup>®</sup>

KOMTRAX equipped machines can send location, SMR and operation maps to a secure website utilizing wireless technology. Machines also relay error codes, cautions, maintenance items, fuel levels, and much more.

**Features**

- Extends operating range and utility of the excavator
- Designed for long-life operation and performance
- Arm tucks under boom for lowest possible transport height without disassembly
- Large selection of ditch-cleaning and general purpose buckets
- Functions and operations are identical to a standard excavator
- Komatsu-designed and engineered base unit using all Komatsu components
- Top quality attachment supplied by Young Corporation

PC200LC-8  
PC220LC-8  
PC270LC-8  
PC350LC/HD-8  
PC450LC-8

**FRONT LENGTHS**

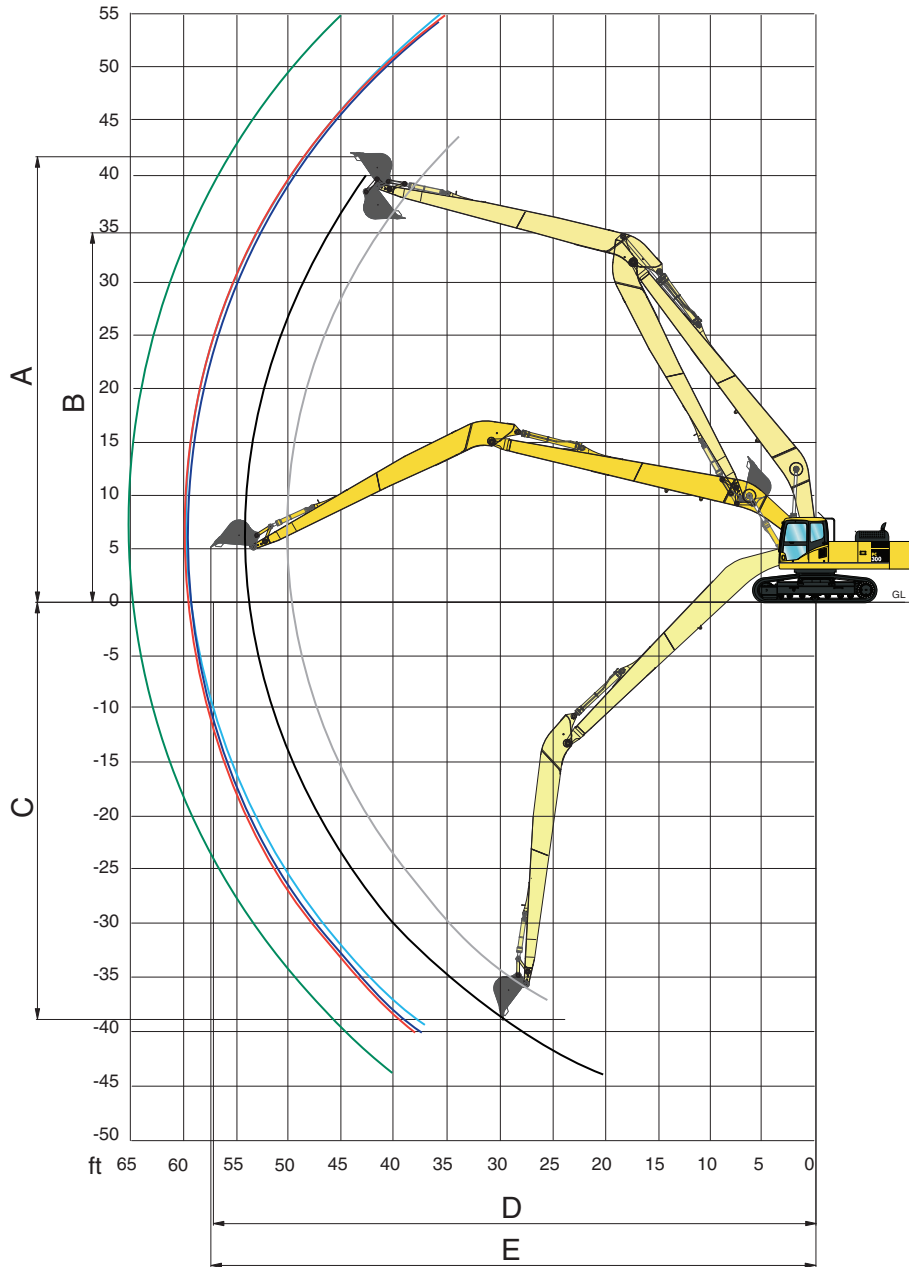
15.2 - 19.8 m 50' - 65'

**Low Emission Engines**

Komatsu engines installed in these excavators are EPA Tier 3 and EU Stage 3A emissions certified with NOx emission reduced by 33%, as compared to Tier 2. They adopt the electronically-controlled, heavy-duty, High Pressure Common Rail (HPCR) fuel injection system.

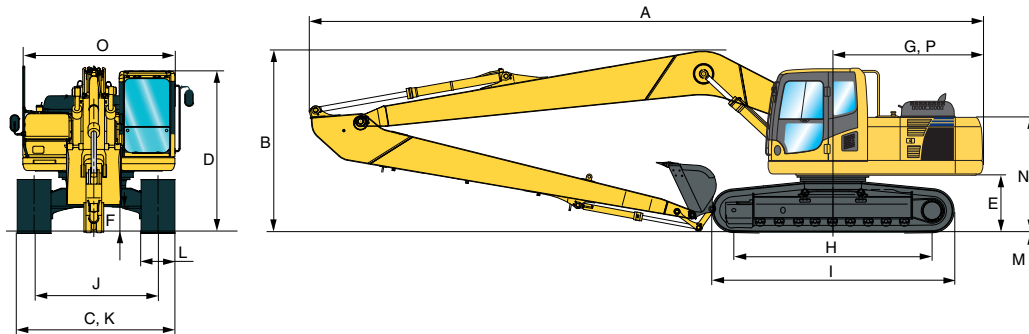
Photo may include optional equipment.

# WORKING RANGES



Arm	PC200LC-8	PC220LC-8	PC270LC-8	PC350LC-8	PC350HD-8	PC450LC-8
A Max. digging height	13564 mm <b>44'6"</b>	13106 mm <b>43'0"</b>	16891 mm <b>55'5"</b>	16383 mm <b>53'9"</b>	16586 mm <b>54'5"</b>	16662 mm <b>54'8"</b>
B Max. dumping height	11836 mm <b>38'10"</b>	11430 mm <b>37'6"</b>	15088 mm <b>49'6"</b>	14173 mm <b>46'6"</b>	14376 mm <b>47'2"</b>	14148 mm <b>46'5"</b>
C Max. digging depth	11506 mm <b>37'9"</b>	13411 mm <b>44'0"</b>	12624 mm <b>41'5"</b>	12446 mm <b>40'10"</b>	12268 mm <b>40'3"</b>	14072 mm <b>46'2"</b>
D Max. digging reach at ground level	15138 mm <b>49'8"</b>	16586 mm <b>54'5"</b>	18186 mm <b>59'8"</b>	18110 mm <b>59'5"</b>	18110 mm <b>59'5"</b>	19761 mm <b>64'10"</b>
E Max. digging reach	15240 mm <b>50'0"</b>	16764 mm <b>55'0"</b>	18288 mm <b>60'0"</b>	18288 mm <b>60'0"</b>	18288 mm <b>60'0"</b>	19812 mm <b>65'0"</b>

# TRANSPORTATION DIMENSIONS



		PC200LC-8	PC220LC-8	PC270LC-8	PC350LC-8	PC350HD-8	PC450LC-8
A	Overall length	12370 mm 40'7"	13395 mm 43'11"	14500 mm 47'7"	14910 mm 48'11"	14880 mm 48'10"	16130 mm 52'11"
B	Transport height (to top of boom)	3175 mm 10'5"	3200 mm 10'6"	3429 mm 11'3"	3353 mm 11'0"	3327 mm 10'11"	3632 mm 11'11"
C	Overall width	3180 mm 10'5"	3380 mm 11'1"	3390 mm 11'2"	3440 mm 11'4"	3640 mm 11'11"	3640 mm 11'11"
D	Overall height (to top of cab)	3040 mm 10'0"	3055 mm 10'0"	3175 mm 10'5"	3130 mm 10'3"	3200 mm 10'6"	3265 mm 10'9"
E	Ground clearance (counterweight)	1085 mm 3'7"	1100 mm 3'7"	1215 mm 4'0"	1185 mm 3'11"	1320 mm 4'4"	1320 mm 4'4"
F	Ground clearance (minimum)	440 mm 1'5"	440 mm 1'5"	498 mm 1'8"	500 mm 1'8"	550 mm 1'10"	550 mm 1'10"
G	Tail swing radius	2750 mm 9'0"	2940 mm 9'8"	2940 mm 9'8"	3450 mm 11'4"	3450 mm 11'4"	3645 mm 12'0"
H	Track length on ground	3665 mm 12'0"	3845 mm 12'7"	4030 mm 13'3"	4030 mm 13'3"	4350 mm 14'3"	4350 mm 14'3"
I	Track length	4450 mm 14'7"	4640 mm 15'3"	4955 mm 16'3"	4955 mm 16'3"	5355 mm 17'7"	5385 mm 17'8"
J	Track gauge	2380 mm 7'10"	2580 mm 8'6"	2590 mm 8'6"	2590 mm 8'6"	2740 mm 9'0"	2740 mm 9'0"
K	Width of crawler	3180 mm 10'5"	3380 mm 11'1"	3390 mm 11'2"	3440 mm 11'4"	3640 mm 11'11"	3640 mm 11'11"
L	Shoe width	800 mm 31.5"	800 mm 31.5"	800 mm 31.5"	850 mm 33.5"	900 mm 35.5"	900 mm 35.5"
M	Grouser height	25 mm 1.0"	25 mm 1.0"	36 mm 1.4"	36 mm 1.4"	37 mm 1.5"	37 mm 1.5"
N	Machine cab height	2095 mm 6'10"	2110 mm 6'11"	2225 mm 7'4"	2580 mm 8'6"	2688 mm 8'10"	2885 mm 9'6"
O	Machine cab width	2710 mm 8'11"	2710 mm 8'11"	2710 mm 8'11"	2995 mm 9'10"	2995 mm 9'10"	2995 mm 9'10"
P	Distance, swing center to rear end	2710 mm 8'11"	2905 mm 9'6"	2905 mm 9'6"	3405 mm 11'2"	3405 mm 11'2"	3605 mm 11'10"



## RECOMMENDED BUCKETS

Model	Bucket	
	Standard width	Bucket volume
PC200LC-8	1.22 m 48"	0.46 m <sup>3</sup> 0.6 yd <sup>3</sup>
PC220LC-8	1.52 m 60"	0.57 m <sup>3</sup> 0.75 yd <sup>3</sup>
PC270LC-8	1.52 m 60"	0.57 m <sup>3</sup> 0.75 yd <sup>3</sup>
PC350LC-8	1.52 m 60"	0.96 m <sup>3</sup> 1.25 yd <sup>3</sup>
PC350HD-8	1.52 m 60"	0.96 m <sup>3</sup> 1.25 yd <sup>3</sup>
PC450LC-8	1.52 m 60"	0.96 m <sup>3</sup> 1.25 yd <sup>3</sup>



## OPERATING WEIGHT (APPROXIMATE)

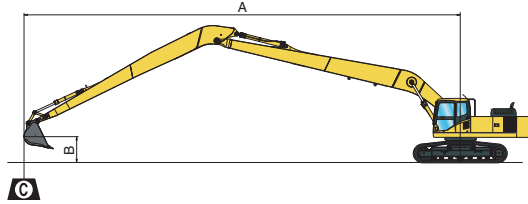
Model	Operating Weight	
PC200LC-8	700 mm 28" shoe	23546 kg 51,910 lbs
	800 mm 31.5" shoe	23827 kg 52,530 lbs
PC220LC-8	700 mm 28" shoe	27382 kg 60,367 lbs
	800 mm 31.5" shoe	27662 kg 60,984 lbs
PC270LC-8	700 mm 28" shoe	30100 kg 66,359 lbs
	800 mm 31.5" shoe	30480 kg 67,197 lbs
	850 mm 33.5" shoe	31220 kg 68,828 lbs
PC350LC-8	700 mm 28" shoe	37522 kg 82,722 lbs
	800 mm 31.5" shoe	37902 kg 83,560 lbs
	850 mm 33.5" shoe	38282 kg 84,397 lbs
PC350HD-8	700 mm 28" shoe	39931 kg 88,033 lbs
	800 mm 31.5" shoe	40431 kg 89,135 lbs
	900 mm 35.5" shoe	40831 kg 90,017 lbs
PC450LC-8	700 mm 28" shoe	48291 kg 106,463 lbs
	800 mm 31.5" shoe	48771 kg 107,522 lbs
	900 mm 35.5" shoe	49231 kg 108,536 lbs

# LIFTING CAPACITIES



## PC200LC-8 LIFTING CAPACITY

- A: Reach from swing center
- B: Bucket hook height
- Cf: Rating over front
- Cs: Rating over side



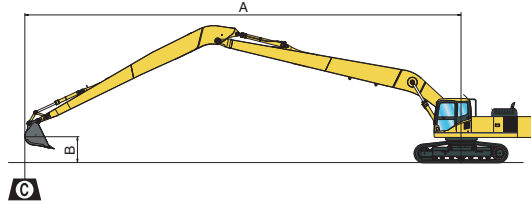
PC200LC-8 Front: 15.2 m 50' Shoe: 700 mm 28" Bucket: 363 kg 800 lbs																		Unit: kg lb					
B	A		3 m 10'		4.6 m 15'		6.1 m 20'		7.6 m 25'		9.1 m 30'		10.7 m 35'		12.2 m 40'		13.7 m 45'		Cf	Cs			
	Cf	Cs	Cf	Cs	Cf	Cs	Cf	Cs	Cf	Cs	Cf	Cs	Cf	Cs	Cf	Cs							
10.7 m 35'														2200*	2200*								
9.1 m 30'														2400*	2400*	1600*	1600*						
7.6 m 25'														2500*	2400*	2500*	1700*						
6.1 m 20'														2700*	2700*	2600*	2200*	2600*	1700*				
4.6 m 15'														3400*	3900*	3100*	2800*	2900*	2100*	2600*	1600*	2000*	1200*
3.0 m 10'	7600*	7600*	6400*	6400*	4800*	4800*	3900*	3400*	3400*	2500*	3100*	1900*	2500*	3100*	1900*	2500*	1500*	2000*	1100*				
1.5 m 5'	2200*	2200*	8100*	6100*	5800*	4200*	4600*	3000*	3800*	2300*	2900*	1800*	2400*	1400*	1900*	1000*	1000*						
0.0 m 0'	2100*	2100*	5000*	5200*	6300*	3600*	4600*	2700*	3500*	2000*	2800*	1600*	2300*	1300*	1900*	1000*	1000*						
-1.5 m -5'	2600*	2600*	4700*	4700*	5900*	3300*	4300*	2400*	3300*	1900*	2600*	1500*	2200*	1200*	1800*	1000*	1000*						
-3.0 m -10'	3300*	3300*	5000*	4600*	5700*	3100*	4100*	2300*	3200*	1700*	2500*	1400*	2100*	1100*									
-4.6 m -15'	4100*	4100*	5800*	4600*	5600*	3000*	4000*	2200*	3100*	1700*	2500*	1400*	2100*	1100*									
-6.1 m -20'	4900*	4900*	6800*	4800*	5700*	3000*	4100*	2200*	3100*	1700*	2500*	1400*	2100*	1100*									
-7.6 m -25'	5900*	5900*	8100*	5000*	5900*	3200*	4200*	2300*	3200*	1800*	2600*	1500*	2300*	1200*									
-9.1 m -30'	7200*	7200*	7700*	5400*	5900*	3400*	4400*	2500*															

Ratings are based on ISO Standard No. 10567.  
 Rated loads do not exceed 87% of hydraulic lift capacity or 75% of tipping load.  
 \*Load is limited by hydraulic capacity rather than tipping.



## PC220LC-8 LIFTING CAPACITY

- A: Reach from swing center
- B: Bucket hook height
- Cf: Rating over front
- Cs: Rating over side



PC220LC-8 Front: 16.8 m 55' Shoe: 700 mm 28" Bucket: 408 kg 900 lbs																	Unit: kg lb					
B	A		3 m 10'		4.6 m 15'		6.1 m 20'		7.6 m 25'		9.1 m 30'		10.7 m 35'		12.2 m 40'		13.7 m 45'		15.2 m 50'			
	Cf	Cs	Cf	Cs	Cf	Cs	Cf	Cs	Cf	Cs	Cf	Cs	Cf	Cs	Cf	Cs	Cf	Cs	Cf	Cs		
10.7 m 35'															1900*	1900*						
9.1 m 30'															2100*	2100*	1300*	1300*				
7.6 m 25'															2200*	2200*	2100*	1700				
6.1 m 20'															2300*	2200	2300*	1600				
4.6 m 15'													2600*	2600	2500*	2000	2400*	1500	1400*	1200		
3.0 m 10'	5100*	5100*					3800*	3800*	3300*	3200	2900*	2400	2700*	1900	2400	1500	1800*	1100				
1.5 m 5'	1800*	1800*	6300*	6300*	5800*	5100	4400*	3800	3700*	2900	3200*	2200	2900	1700	2300	1400	1900	1000				
0.0 m 0'	1900*	1900*	4100*	4100*	6600*	4400	5000*	3300	4100*	2500	3400	2000	2700	1600	2200	1300	1800*	1000				
-1.5 m -5'	2400*	2400*	4000*	4000*	7100	4000	5100	3000	3900	2300	3200	1800	2600	1500	2100	1200	1500*	1000				
-3.0 m -10'	2900*	2900*	4300*	4300*	6800	3800	4900	2800	3800	2100	3000	1700	2500	1400	2100	1100						
-4.6 m -15'	3600*	3600*	4900*	4900*	6700	3700	4800	2700	3700	2000	2900	1600	2400	1300	2000	1100						
-6.1 m -20'	4400*	4400*	5700*	5800	6800	3700	4800	2700	3700	2000	2900	1600	2400	1400								
-7.6 m -25'	5200*	5200*	6700*	6000	6900	3800	4900	2700	3700	2100	3000	1700	2500	1400								
-9.1 m -30'	6100*	6100*	7900*	6400	6800*	4000	5000	2900	3900	2200	3100	1800										
-10.7 m -35'	7100*	7100*	7400*	6900	5800*	4400	4600*	3100	3600*	2400												
-12.2 m -40'			5300*	5300*	4100*	4100*																

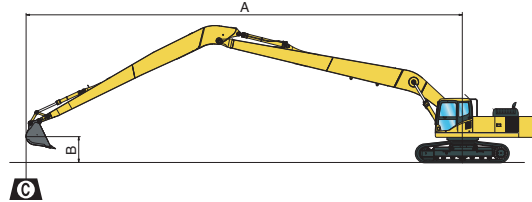
Ratings are based on ISO Standard No. 10567.  
 Rated loads do not exceed 87% of hydraulic lift capacity or 75% of tipping load.  
 \*Load is limited by hydraulic capacity rather than tipping.

# LIFTING CAPACITIES



## PC270LC-8 LIFTING CAPACITY

- A: Reach from swing center
- B: Bucket hook height
- Cf: Rating over front
- Cs: Rating over side



PC270LC-8		Front: 18.3 m 60'		Shoe: 700 mm 28"		Bucket: 408 kg 900 lbs		Unit: kg lb														
B	A	3 m 10'		4.6 m 15'		6.1 m 20'		7.6 m 25'		9.1 m 30'		10.7 m 35'		12.2 m 40'		13.7 m 45'		15.2 m 50'		16.8 m 55'		
		Cf	Cs	Cf	Cs	Cf	Cs	Cf	Cs	Cf	Cs	Cf	Cs	Cf	Cs	Cf	Cs	Cf	Cs	Cf	Cs	
15.2 m 50'												1600*	1600*									
13.7 m 45'														1600*	1600*							
12.2 m 40'														2200*	2200*	1400*	1400*					
10.7 m 35'														2600*	2600*	2000*	2000*					
9.1 m 30'														2900*	3000*	2400*	2300*	1600*	1600*			
7.6 m 25'														3200*	3700*	2900*	2800*	2100*	1800*			
6.1 m 20'														3700*	3700*	3400*	2700*	2900*	1700*	1200*	1200*	
4.6 m 15'														4800*	4800*	4100*	4100*	3600*	3300*	3300*	2600*	2600*
3.0 m 10'	2300*	2300*	9300*	9300*	6700*	6700*	5400*	5100*	4500*	3900*	3900*	3000*	3400*	3400*	2400*	3100*	1900*	2800*	1500*	1900*	1200*	
1.5 m 5'	800*	800*	3400*	3400*	7600*	6100*	5900*	4500*	4900*	3500*	4100*	2800*	3600*	2200*	3200*	1800*	2700*	1500*	2000*	1100*		
0.0 m 0'	1000*	1000*	2500*	2500*	5800*	5400*	6300*	4000*	5100*	3100*	4400*	2500*	3700*	2000*	3100*	1700*	2600*	1400*	2000*	1100*		
-1.5 m -5'	1400*	1400*	2400*	2400*	4700*	4700*	6600*	3700*	5400*	2900*	4300*	2300*	3500*	1900*	3000*	1500*	2500*	1300*	1800*	1000*		
-3.0 m -10'	1900*	1900*	2800*	2800*	4500*	4500*	6600*	3400*	5100*	2700*	4100*	2200*	3400*	1800*	2900*	1500*	2400*	1200*				
-4.6 m -15'	2400*	2400*	3200*	3200*	4800*	4400*	6400*	3300*	5000*	2600*	4000*	2100*	3400*	1700*	2800*	1400*	2400*	1200*				
-6.1 m -20'	2900*	2900*	3700*	3700*	5300*	4400*	6400*	3200*	4900*	2500*	4000*	2000*	3300*	1600*	2800*	1400*	2300*	1200*				
-7.6 m -25'	3400*	3400*	4400*	4400*	6000*	4500*	5900*	3300*	4900*	2500*	3900*	2000*	3300*	1700*	2800*	1400*						
-9.1 m -30'			5100*	5100*	6400*	4700*	5300*	3400*	4400*	2500*	3700*	2000*	3100*	1700*								
-10.7 m -35'					5200*	4900*	4400*	3500*	3700*	2700*	3000*	2200*										

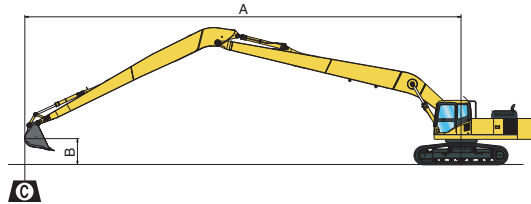
Ratings are based on ISO Standard No. 10567.  
Rated loads do not exceed 87% of hydraulic lift capacity or 75% of tipping load.  
\*Load is limited by hydraulic capacity rather than tipping.





## PC350LC-8 LIFTING CAPACITY

- A: Reach from swing center
- B: Bucket hook height
- Cf: Rating over front
- Cs: Rating over side



PC350LC-8		Front: 18.3 m 60'		Shoe: 700 mm 28"		Bucket: 544 kg 1,200 lbs		Unit: kg lb														
B	A	3 m 10'		4.6 m 15'		6.1 m 20'		7.6 m 25'		9.1 m 30'		10.7 m 35'		12.2 m 40'		13.7 m 45'		15.2 m 50'		16.8 m 55'		
		Cf	Cs	Cf	Cs	Cf	Cs	Cf	Cs	Cf	Cs	Cf	Cs	Cf	Cs	Cf	Cs	Cf	Cs	Cf	Cs	
12.2 m 40'														2400*	2400*							
10.7 m 35'														2900*	2900*	2100*	2100*					
9.1 m 30'														3000*	3000*	2700*	2700*	1500*	1500*			
7.6 m 25'														3400*	3400*	3100*	3100*	2900*	2900*	2100*	2100*	
6.1 m 20'														3600*	3600*	3300*	3300*	3000*	2800*	2600*	2200*	
4.6 m 15'								5100*	5100*	4400*	4400*			3900*	3400*	3100*	2600*	2900*				
3.0 m 10'	5900*	5900*	10000*	10000*	7300*	7300*	5700*	5700*	4800*	4800*	4100*	3900*	3600*	3100*	3200*	2500*	2900*	2000*	1700*	1500*		
1.5 m 5'	1900*	1900*	6900*	6900*	8200*	8200*	6300*	6000*	5100*	4600*	4400*	3600*	3800*	2900*	3400*	2300*	3000*	1900*	1900*	1500*	1500*	
0.0 m 0'	2000*	2000*	4600*	4600*	8800*	7200*	6700*	5400*	5400*	4200*	4500*	3300*	3900*	2700*	3400*	2200*	3000*	1800*	1900*	1400*	1400*	
-1.5 m -5'	2600*	2600*	4400*	4400*	8400*	6600*	7000*	4900*	5600*	3900*	4700*	3100*	4000*	2500*	3500*	2000*	3000*	1700*				
-3.0 m -10'	3300*	3300*	4900*	4900*	8000*	6300*	7000*	4600*	5700*	3600*	4700*	2900*	4000*	2400*	3400*	2000*	3000*	1600*				
-4.6 m -15'	4100*	4100*	5500*	5500*	8300*	6100*	6900*	4400*	5600*	3400*	4700*	2800*	3900*	2300*	3400*	1900*	2900*	1600*				
-6.1 m -20'	4900*	4900*	6400*	6400*	8200*	6100*	6600*	4400*	5400*	3400*	4500*	2700*	3800*	2200*	3200*	1900*						
-7.6 m -25'	5900*	5900*	7400*	7400*	7400*	6300*	6000*	4500*	5000*	3400*	4100*	2700*	3400*	2300*	2800*	1900*						
-9.1 m -30'			7800*	7800*	6300*	6300*	5200*	4600*	4300*	3500*	3600*	2800*	2900*	2400*								
-10.7 m -35'					4900*	4900*	4100*	4100*	3400*	3400*	2600*	2600*										

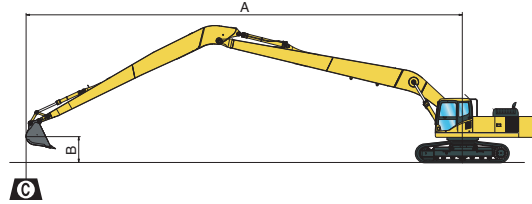
Ratings are based on ISO Standard No. 10567.  
 Rated loads do not exceed 87% of hydraulic lift capacity or 75% of tipping load.  
 \*Load is limited by hydraulic capacity rather than tipping.

# LIFTING CAPACITIES



## PC350HD-8 LIFTING CAPACITY

- A: Reach from swing center
- B: Bucket hook height
- Cf: Rating over front
- Cs: Rating over side



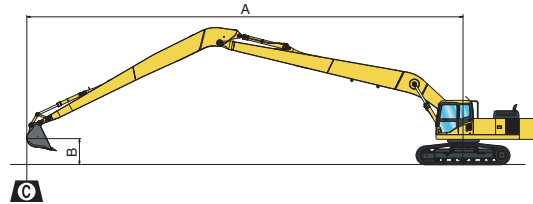
PC350HD-8		Front: 18.3 m 60'		Shoe: 700 mm 28"		Bucket: 544 kg 1,200 lbs		Unit: kg lb														
B	A	3 m 10'		4.6 m 15'		6.1 m 20'		7.6 m 25'		9.1 m 30'		10.7 m 35'		12.2 m 40'		13.7 m 45'		15.2 m 50'		16.8 m 55'		
		Cf	Cs	Cf	Cs	Cf	Cs	Cf	Cs	Cf	Cs	Cf	Cs	Cf	Cs	Cf	Cs	Cf	Cs	Cf	Cs	
15.2 m 50'												1700*	1700*									
13.7 m 45'														1600*	1600*							
12.2 m 40'														2400*	2400*							
10.7 m 35'														2900*	2900*	2200*	2200*					
9.1 m 30'														3100*	3100*	2700*	2700*	1600*	1600*			
7.6 m 25'												3400*	3400*	3200*	3200*	2900*	2900*	2200*	2200*			
6.1 m 20'										4100*	4100*	3600*	3600*	3300*	3300*	3000*	3000*	2700*	2700*			
4.6 m 15'							5200*	5200*	4400*	4400*	3900*	3900*	3400*	3400*	3100*	3100*	2900*	2600*	1500*	1500*		
3.0 m 10'	4500*	4500*	10300*	10300*	7400*	7400*	5800*	5800*	4800*	4800*	4100*	4100*	3600*	3600*	3300*	3000*	2900*	2500*	1800*	1800*		
1.5 m 5'	1800*	1800*	6400*	6400*	8300*	8300*	6400*	6400*	5200*	5200*	4400*	4400*	3800*	3800*	3400*	2900*	3000*	2400*	1900*	1900*		
0.0 m 0'	2000*	2000*	4500*	4500*	8800*	8800*	6800*	6500*	5400*	5100*	4600*	4100*	3900*	3300*	3400*	2700*	3000*	2300*	1800*	1800*		
-1.5 m -5'	2700*	2700*	4400*	4400*	8300*	8200*	7000*	6100*	5600*	4800*	4700*	3900*	4000*	3100*	3500*	2600*	3000*	2200*				
-3.0 m -10'	3400*	3400*	4900*	4900*	8000*	7900*	7000*	5800*	5700*	4500*	4700*	3700*	4000*	3000*	3400*	2500*	3000*	2100*				
-4.6 m -15'	4200*	4200*	5600*	5600*	8400*	7800*	6800*	5700*	5600*	4400*	4700*	3500*	3900*	2900*	3400*	2400*	2800*	2100*				
-6.1 m -20'	5000*	5000*	6500*	6500*	8100*	7800*	6500*	5600*	5400*	4400*	4400*	3500*	3800*	2900*	3100*	2400*						
-7.6 m -25'	6000*	6000*	7600*	7600*	7300*	7300*	5900*	5700*	4900*	4400*	4100*	3500*	3400*	2900*	2700*	2500*						
-9.1 m -30'			7500*	7500*	6200*	6200*	5100*	5100*	4200*	4200*	3500*	3500*	2800*	2800*								
-10.7 m -35'							3900*	3900*	3200*	3200*	2400*	2400*										

Ratings are based on ISO Standard No. 10567.  
 Rated loads do not exceed 87% of hydraulic lift capacity or 75% of tipping load.  
 \*Load is limited by hydraulic capacity rather than tipping.



## PC450LC-8 LIFTING CAPACITY

- A: Reach from swing center
- B: Bucket hook height
- Cf: Rating over front
- Cs: Rating over side



PC450LC-8		Front: 19.8 m 65'		Shoe: 700 mm 28"		Bucket: 544 kg 1,200 lbs		Unit: kg lb															
B	A	3 m 10'		4.6 m 15'		6.1 m 20'		7.6 m 25'		9.1 m 30'		10.7 m 35'		12.2 m 40'		13.7 m 45'		15.2 m 50'		16.8 m 55'		18.3 m 60'	
		Cf	Cs	Cf	Cs	Cf	Cs	Cf	Cs	Cf	Cs	Cf	Cs	Cf	Cs	Cf	Cs	Cf	Cs	Cf	Cs	Cf	Cs
13.7 m 45'																3000*	3000*						
12.2 m 40'																3800*	3800*	2500*	2500*				
10.7 m 35'																3900*	3900*	3400*	3400*				
9.1 m 30'																3900*	3900*	3700*	3500*	2600*	2600*		
7.6 m 25'															4400*	4400*	4100*	4100*	3800*	3400*	3400*	2700*	
6.1 m 20'															4600*	4600*	4200*	4100*	3900*	3300*	3600*	2600*	
4.6 m 15'										6400*	6400*	5500*	5500*	4900*	4800*	4400*	4400*	3800*	3900*	3100*	3600*	2400*	2300*
3.0 m 10'			10100*	10100*	10800*	10800*	8300*	8300*	6800*	6800*	5800*	5500*	5100*	4400*	4500*	3500*	4000*	2900*	3700*	2300*	2700*	1900*	
1.5 m 5'			5200*	5200*	11700*	10500*	9000*	7900*	7300*	6200*	6100*	4900*	5300*	4000*	4600*	3300*	4100*	2700*	3700*	2200*	2900*	1800*	
0.0 m 0'	2300*	2300*	4600*	4600*	9300*	9200*	9400*	7000*	7600*	5600*	6300*	4500*	5400*	3700*	4800*	3000*	4200*	2500*	3800*	2000*	2800*	1700*	
-1.5 m -5'	3300*	3300*	5000*	5000*	8400*	8400*	9600*	6400*	7800*	5100*	6400*	4100*	5500*	3400*	4800*	2800*	4200*	2300*	3700*	2000*			
-3.0 m -10'	4300*	4300*	5800*	5800*	8700*	8100*	9500*	6000*	7800*	4800*	6500*	3900*	5500*	3200*	4800*	2600*	4200*	2200*	3700*	1900*			
-4.6 m -15'	5300*	5300*	6700*	6700*	9400*	8000*	9300*	5900*	7600*	4500*	6400*	3700*	5400*	3000*	4700*	2500*	4100*	2100*	3500*	1800*			
-6.1 m -20'	6400*	6400*	7800*	7800*	10400*	8100*	8800*	5800*	7300*	4400*	6200*	3600*	5300*	2900*	4500*	2500*	3900*	2100*	3600*	1400*			
-7.6 m -25'	7500*	7500*	9100*	9100*	9800*	8200*	8100*	5900*	6800*	4500*	5800*	3600*	4900*	2900*	4200*	2500*	3400*	2100*	3700*				
-9.1 m -30'	8800*	8800*	10300*	10300*	8500*	8500*	7200*	6000*	6100*	4600*	5100*	3700*	4400*	3000*	3600*	2600*							
-10.7 m -35'			8000*	8000*	6900*	6900*	5900*	5900*	5000*	4800*	4300*	3900*	3500*	3200*									
-12.2 m -40'			4300*	4300*	3600*	3600*	2900*	2900*															

Ratings are based on ISO Standard No. 10567.  
 Rated loads do not exceed 87% of hydraulic lift capacity or 75% of tipping load.  
 \*Load is limited by hydraulic capacity rather than tipping.

**⚠ DANGER**  
Keep off swing area

**KOMATSU**

**Notes:**

1. The details in this specification brochure are based on Dash 8 models as indicated. Some attachments may be installed on prior models but specifications may vary. Contact Young Corporation for details.
2. Variations to the specifications in this brochure can be designed and produced in accordance with customer requirements by contacting Young Corporation with details.
3. SUPER LONG FRONT ATTACHMENTS are designed for "LIGHT DUTY" work only. Excavating work or heavy hoisting may result in side loads and other activities that will damage the machine.
4. Disassembly may be required due to transport restrictions.
5. Illustrations may include optional equipment.
6. Operating weights include additional counterweight when required.

**KOMATSU**<sup>®</sup>